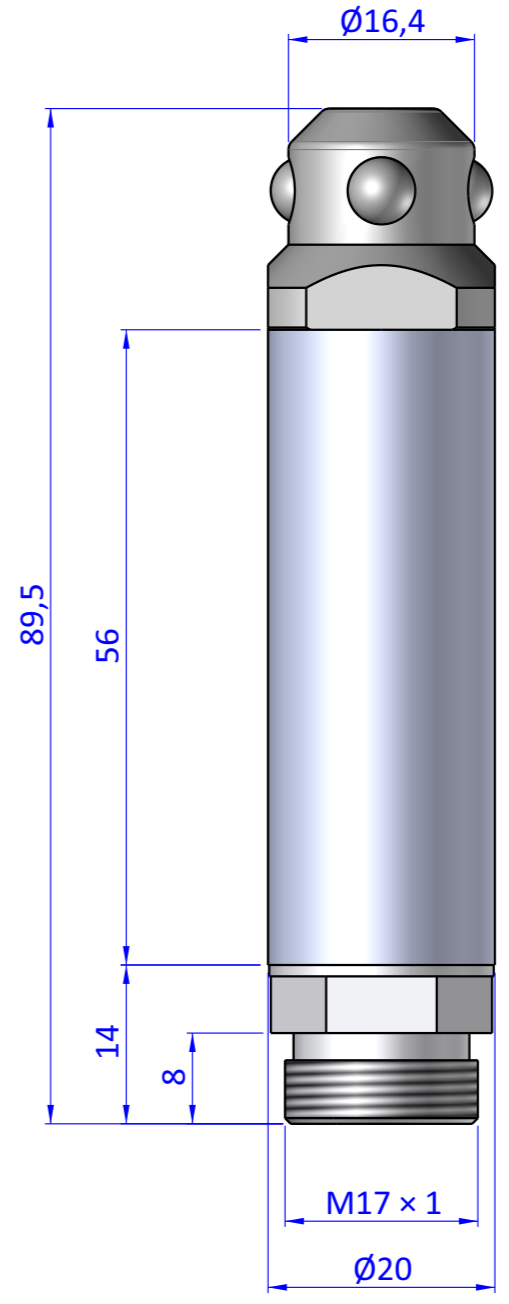
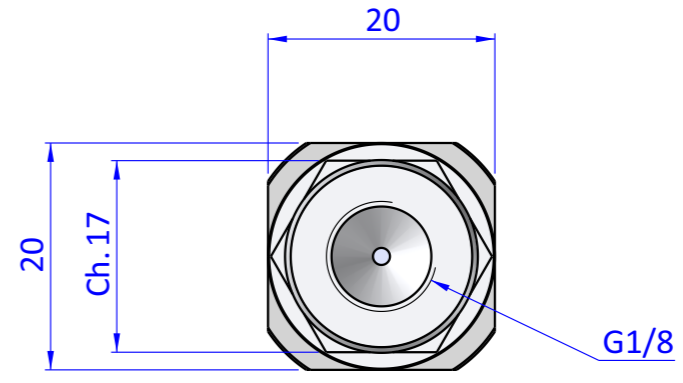
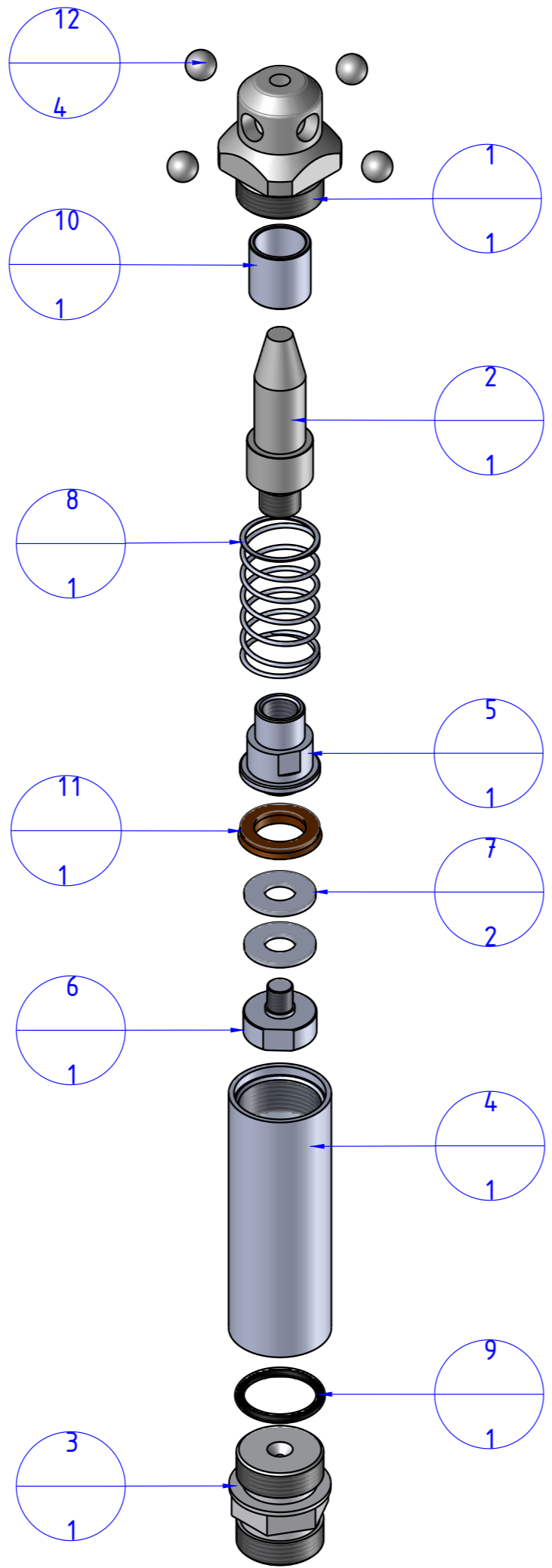



THE PROPERTY OF THE DRAWING IS ESTABLISHED BY LAW. IT IS FORBIDDEN TO PRODUCE OR SHOW IT TO THIRD PART. WITHOUT A WRITTEN AGREEMENT.

Item	Name	Q.ty
1	AGP.20.1	1
2	AGP.20.2	1
3	GRF20.95.01	1
4	GRF20.95.02	1
5	GRF20.95.03	1
6	GRF20.95.03.2	1
7	GRF20.95.10	2
8	M.GRF.2095.1	1
9	OR.2056	1
10	PAP.101210	1
11	PSP.1610255	1
12	SFERA.06	4



Format A3
UNI 936-76

 FPS FPSERVICES AUTOMATION		DESIGNED FROM		REVIEW
		FPS Automation		A
GENERAL TOLERANCE		DATE	WEIGHT	
UNI - ISO 2768		29/07/2022	0,098kg	
CLASSE f		CODE		
		CA.AGP.20.G	CA.AGP.20.G	